

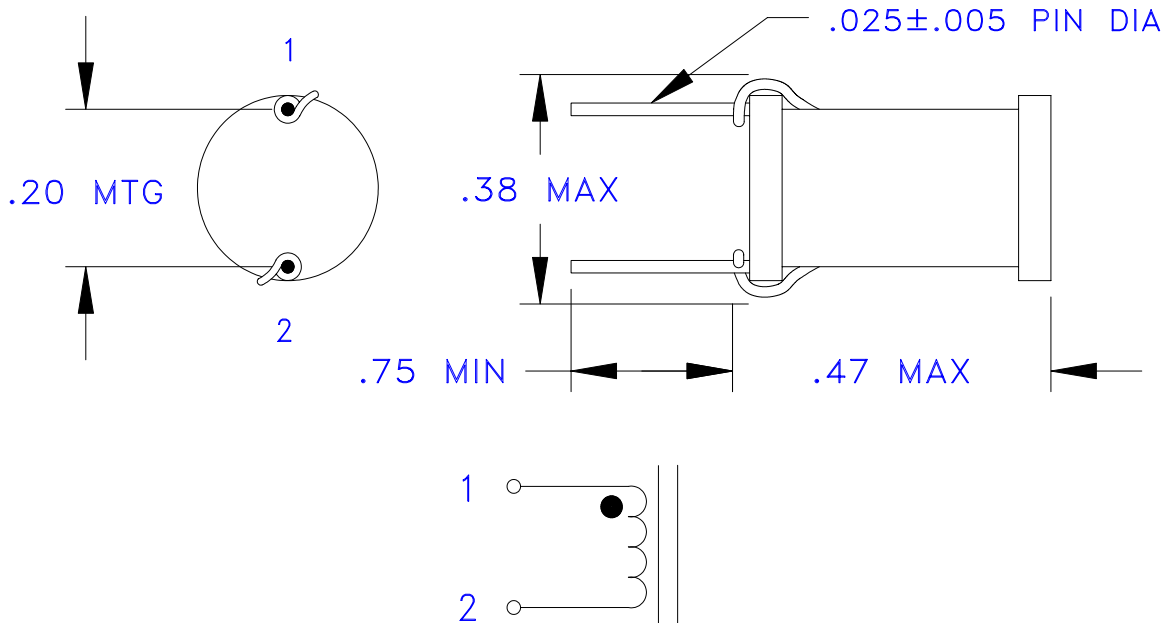
TRL Series 2

Radial Lead Mini Power Line Chokes

THE USE OF HIGH SATURATION MATERIALS MAKE THESE COILS IDEAL FOR USE IN SWITCHING REGULATED POWER SUPPLY APPLICATIONS. INDUCTANCES RANGE FROM 3.9 μ H WITH CURRENT CAPABILITIES UP TO 2.0 AMPS and A SATURATION CURRENT AS HIGH AS 10.5 AMPS DESIGNED FOR CLASS B (130°C) OPERATION

TYPICAL APPLICATIONS:

- **POWER SUPPLIES**
- **SWITCHING REGULATORS**
- **SCR and TRIAC CONTROLS**
- **RFI SUPPRESSION**
- **FILTERS**



TRL Series 2

Radial Lead Mini Power Line Chokes

TRL CATALOG #	RATED CURRENT IDC (AMPS)	INDUCTANCE +/-10% (micro H)	DCR MAX Ohms	DC Saturation Current 5% Typ Inductance Drop
2-0003.9	2.0	3.9	0.015	10.5
2-0004.7	2.0	4.7	0.016	9.5
2-0005.6	2.0	5.6	0.018	8.6
2-0006.8	2.0	6.8	0.020	8.0
2-0008.2	2.0	8.2	0.024	6.8
2-0010	2.0	10	0.027	6.0
2-0012	2.0	12	0.030	5.4
2-0015	2.0	15	0.034	4.8
2-0018	2.0	18	0.039	4.4
2-0022	2.0	22	0.043	4.0
2-0027	2.0	27	0.048	3.6
2-0033	2.0	33	0.053	3.2
2-0039	2.0	39	0.062	2.9
2-0047	2.0	47	0.068	2.7
2-0056	1.25	56	0.11	2.4
2-0068	1.25	68	0.13	2.2
2-0082	1.25	82	0.14	2.0
2-0100	1.25	100	0.16	1.8
2-0120	1.25	120	0.18	1.6
2-0150	0.75	150	0.27	1.5
2-0180	0.75	180	0.30	1.3
2-0220	0.75	220	0.36	1.2
2-0270	0.75	270	0.40	1.1
2-0330	0.50	330	0.62	1.0
2-0390	0.50	390	0.69	0.93

Note: Catalog products are subject to design changes & improvements. Please contact your sales representative before placing any orders.

ORDERING INFORMATION: PART # EXAMPLE: TRL 2-0390

Revised 6/01/02



CURRENT CONTROLS, INC. 353 S. Brooklyn Ave. Wellsville, NY 14895

www.currentcontrols.com * salescci@eznet.net * Phone: (585) 593-1544 * Fax: (585) 593-1713

TRL Series 2

Radial Lead Mini Power Line Chokes

TRL CATALOG #	RATED CURRENT IDC (AMPS)	INDUCTANCE +/-10% (micro H)	DCR MAX Ohms	DC Saturation Current 5% Typ Inductance Drop
2-0470	0.50	470	0.78	0.85
2-0560	0.50	560	0.88	0.77
2-0680	0.50	680	0.99	0.70
2-0820	0.30	820	1.5	0.66
2-K001	0.30	1000	1.7	0.58
2-K001.2	0.30	1200	2.0	0.53
2-K001.5	0.30	1500	2.3	0.47
2-K001.8	0.30	1800	2.8	0.43
2-K002.2	0.20	2200	4.2	0.39
2-K002.7	0.20	2700	4.8	0.35
2-K003.3	0.20	3300	5.6	0.32
2-K003.9	0.20	3900	6.2	0.29
2-K004.7	0.20	4700	7.0	0.26
2-K005.6	0.125	5600	10.7	0.25
2-K006.8	0.125	6800	12.2	0.22
2-K008.2	0.125	8200	13.7	0.20
2-K010	0.125	10000	15.7	0.18
2-K012	0.075	12000	25.7	0.17
2-K015	0.075	15000	28.4	0.15
2-K018	0.075	18000	31.8	0.13
2-K022	0.075	22000	34.3	0.12
2-K027	0.05	27000	48.9	0.11
2-K033	0.05	33000	57.0	0.10
2-K039	0.05	39000	63.0	0.09

Note: Catalog products are subject to design changes & improvements. Please contact your sales representative before placing any orders.

ORDERING INFORMATION: PART # EXAMPLE: TRL 2-K039

Revised 6/01/02



CURRENT CONTROLS, INC. 353 S. Brooklyn Ave. Wellsville, NY 14895

www.currentcontrols.com * salescci@eznet.net * Phone: (585) 593-1544 * Fax: (585) 593-1713