

TPIH Series

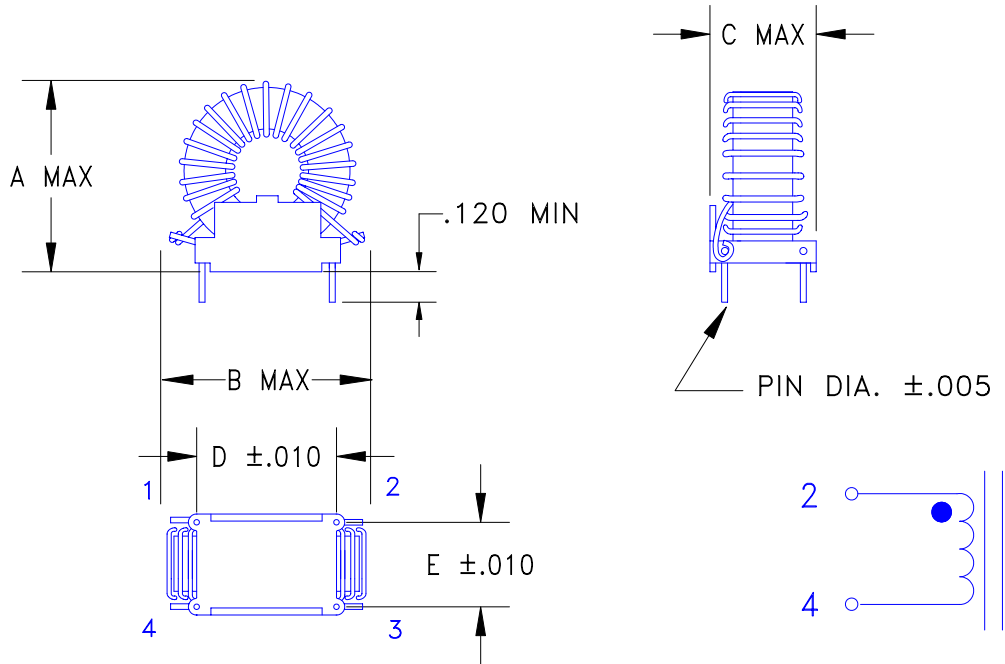
Low Cost Powdered Iron Inductors

LOW COST POWDERED IRON INDUCTORS
MAY BE PURCHASED WITH OR WITHOUT HEADERS FOR THRU-HOLE MOUNTING

DESIGNED FOR CLASS B (130°C) OPERATION

TYPICAL APPLICATIONS:

- OUTPUT FILTER INDUCTORS FOR HIGH FREQUENCY POWER SUPPLIES



TPIH Series

Size	A	B	C	D	E	PIN DIA
1	1.12	1.00	0.70	0.60	0.25	0.040
2	1.40	1.30	0.72	0.80	0.40	0.050
3	1.75	1.50	0.72	0.80	0.40	0.050
4	1.90	1.80	0.85	0.90	0.60	0.050



CURRENT CONTROLS, INC. 353 S. Brooklyn Ave. Wellsville, NY 14895
www.currentcontrols.com * salescci@eznet.net * Phone: (585) 593-1544 * Fax: (585) 593-1713

TPIH Series

Low Cost Powdered Iron Inductors

TPIH CATALOG #	RATED CURRENT IDC (AMPS)	INDUCTANCE MIN @ 0A (micro H)	INDUCTANCE TYP @ IDC (micro H)	DCR MAX (milli Ohms)	SIZE
01.0-0410-1	1.0 A	410	342	500	1
01.0-1100-2	1.0 A	1100	908	980	2
01.0-1900-3	1.0 A	1900	1507	1350	3
01.0-3600-4	1.0 A	3600	2920	2200	4
02.5-0165-1	2.5 A	165	99	160	1
02.5-0450-2	2.5 A	450	283	250	2
02.5-0750-3	2.5 A	750	475	350	3
02.5-1450-4	2.5 A	1450	870	570	4
03.8-0110-1	3.8 A	110	63	80	1
03.8-0280-2	3.8 A	280	160	150	2
03.8-0500-3	3.8 A	500	256	170	3
03.8-0940-4	3.8 A	940	486	290	4
05.0-0055-1	5.0 A	55	35	40	1
05.0-0170-2	5.0 A	170	105	75	2
05.0-0300-3	5.0 A	300	155	105	3
05.0-0580-4	5.0 A	580	295	150	4
07.5-0036-1	7.5 A	36	20	22	1
07.5-0105-2	7.5 A	105	50	38	2
07.5-0180-3	7.5 A	180	83	52	3
07.5-0350-4	7.5 A	350	160	70	4
10.0-0020-1	10.0 A	20	10	11	1
10.0-0060-2	10.0 A	60	29	18	2
10.0-0110-3	10.0 A	110	50	27	3
10.0-0220-4	10.0 A	220	107	36	4

Note: Catalog products are subject to design changes & improvements. Please contact your sales representative before placing any orders.

ORDERING INFORMATION: PART # EXAMPLE: TPIH 01.0-0410-1

Revised 6/01/02



CURRENT CONTROLS, INC. 353 S. Brooklyn Ave. Wellsville, NY 14895

www.currentcontrols.com * salescci@eznet.net * Phone: (585) 593-1544 * Fax: (585) 593-1713