

TPI Series

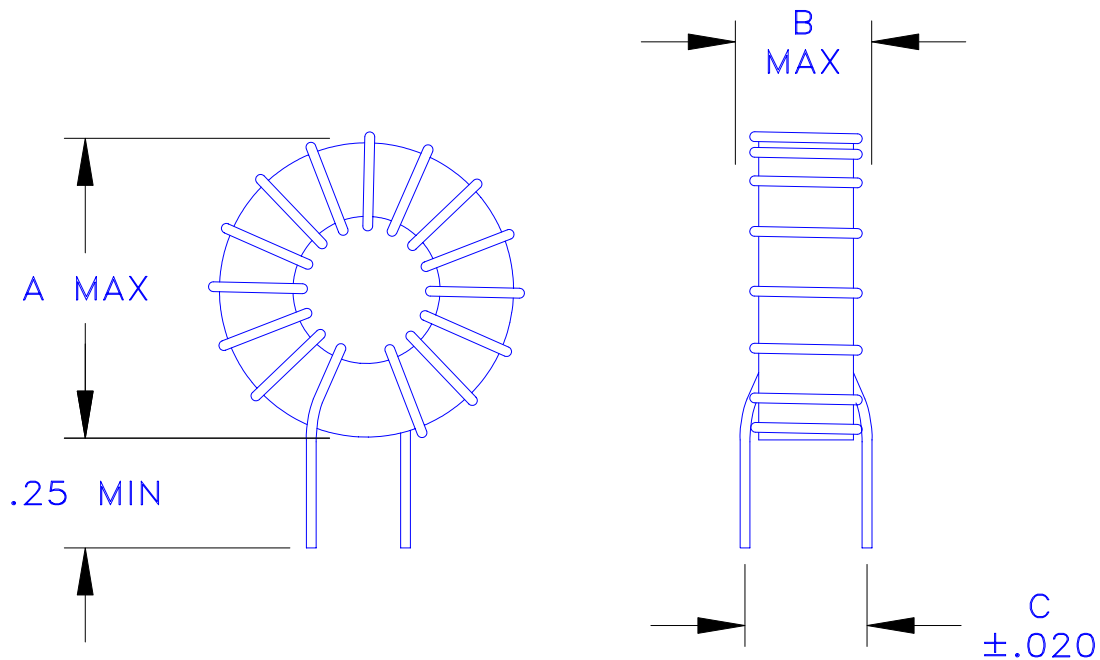
Low Cost Powdered Iron Inductors

LOW COST POWDERED IRON INDUCTORS
MAY BE PURCHASED WITH OR WITHOUT HEADERS FOR THRU-HOLE MOUNTING

DESIGNED FOR CLASS B (130°C) OPERATION

TYPICAL APPLICATIONS:

- OUTPUT FILTER INDUCTORS FOR HIGH FREQUENCY POWER SUPPLIES



TPI Series

Size	A	B	C
1	0.95	0.50	.375
2	1.23	0.65	.550
3	1.55	0.65	.550
4	1.90	0.90	.750



CURRENT CONTROLS, INC. 353 S. Brooklyn Ave. Wellsville, NY 14895
www.currentcontrols.com * salescci@eznet.net * Phone: (585) 593-1544 * Fax: (585) 593-1713

TPI Series

Low Cost Powdered Iron Inductors

TPI CATALOG #	RATED CURRENT IDC (AMPS)	INDUCTANCE MIN @ 0A (micro H)	INDUCTANCE TYP @ IDC (micro H)	DCR MAX (milli Ohms)	LEAD DIA ±.003 (In)	SIZE
01.0-0410-1	1.0	410	342	500	.013	1
01.0-1100-2	1.0	1100	908	980	.013	2
01.0-1900-3	1.0	1900	1507	1350	.013	3
01.0-3600-4	1.0	3600	2920	2200	.013	4
02.5-0165-1	2.5	165	99	160	.020	1
02.5-0450-2	2.5	450	283	250	.020	2
02.5-0750-3	2.5	750	475	350	.020	3
02.5-1450-4	2.5	1450	870	570	.020	4
03.8-0110-1	3.8	110	63	80	.025	1
03.8-0280-2	3.8	280	160	150	.025	2
03.8-0500-3	3.8	500	256	170	.025	3
03.8-0940-4	3.8	940	486	290	.025	4
05.0-0055-1	5.0	55	35	40	.032	1
05.0-0170-2	5.0	170	105	75	.032	2
05.0-0300-3	5.0	300	155	105	.032	3
05.0-0580-4	5.0	580	295	150	.032	4
07.5-0036-1	7.5	36	20	22	.040	1
07.5-0105-2	7.5	105	50	38	.040	2
07.5-0180-3	7.5	180	83	52	.040	3
07.5-0350-4	7.5	350	160	70	.040	4
10.0-0020-1	10.0	20	10	11	.050	1
10.0-0060-2	10.0	60	29	18	.050	2
10.0-0110-3	10.0	110	50	27	.050	3
10.0-0220-4	10.0	220	107	36	.050	4

Note: Catalog products are subject to design changes & improvements. Please contact your sales representative before placing any orders.

ORDERING INFORMATION: PART # EXAMPLE: TPI 01.0-0410-1

Revised 6/01/02



CURRENT CONTROLS, INC. 353 S. Brooklyn Ave. Wellsville, NY 14895
 www.currentcontrols.com * salescci@eznet.net * Phone: (585) 593-1544 * Fax: (585) 593-1713