

TKMH Series

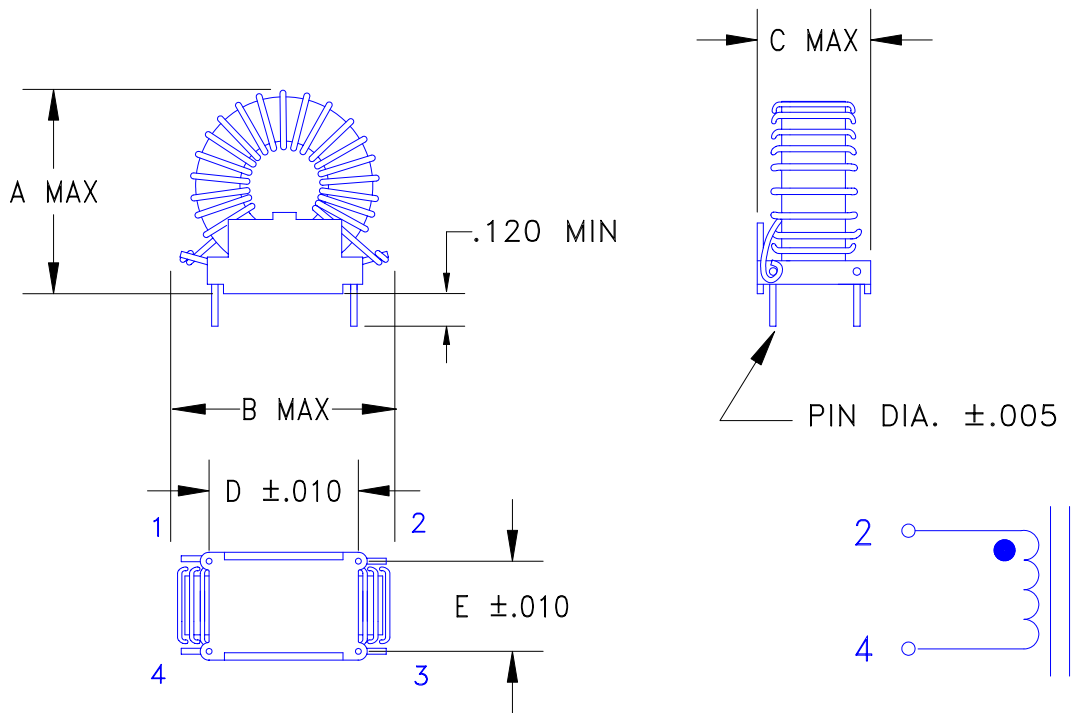
Low Core Loss, Energy Efficient Inductors

LOW CORE LOSS, COOL RUNNING, ENERGY EFFICIENT, SINGLE LAYER,
LOW RADIATION DESIGN.

MAY BE PURCHASED WITH OR WITHOUT HEADERS FOR THRU-HOLE MOUNTING.
DESIGNED FOR CLASS B (130°C) OPERATION

TYPICAL APPLICATIONS:

- OUTPUT FILTER INDUCTORS FOR HIGH FREQUENCY POWER SUPPLIES
- DIFFERENTIAL FILTER



TKMH Series

| Size | A | B | C | D | E | PIN DIA |
|------|------|------|------|------|------|---------|
| 1 | 1.12 | 1.00 | 0.70 | 0.60 | 0.25 | 0.040 |
| 2 | 1.40 | 1.30 | 0.72 | 0.80 | 0.40 | 0.050 |
| 3 | 1.75 | 1.50 | 0.72 | 0.80 | 0.40 | 0.050 |
| 4 | 1.90 | 1.80 | 0.85 | 0.90 | 0.60 | 0.050 |



TKMH Series

Low Core Loss, Energy Efficient Inductors

| TKMH CATALOG # | RATED CURRENT IDC (AMPS) | INDUCTANCE MIN @ 0A (micro H) | INDUCTANCE TYP @ IDC (micro H) | DCR MAX (milli Ohms) | SIZE |
|---------------------------|---|--|---|-------------------------------------|-------------|
| 01.0-0390-1 | 1.0 | 390 | 336 | 500 | 1 |
| 01.0-1170-2 | 1.0 | 1170 | 999 | 980 | 2 |
| 01.0-1860-3 | 1.0 | 1860 | 1578 | 1350 | 3 |
| 01.0-3800-4 | 1.0 | 3800 | 3092 | 2200 | 4 |
| 02.5-0150-1 | 2.5 | 150 | 107 | 160 | 1 |
| 02.5-0460-2 | 2.5 | 460 | 354 | 250 | 2 |
| 02.5-0755-3 | 2.5 | 755 | 539 | 350 | 3 |
| 02.5-1520-4 | 2.5 | 1520 | 1068 | 570 | 4 |
| 03.8-0096-1 | 3.8 | 96 | 63 | 80 | 1 |
| 03.8-0295-2 | 3.8 | 295 | 174 | 150 | 2 |
| 03.8-0470-3 | 3.8 | 470 | 298 | 170 | 3 |
| 03.8-0970-4 | 3.8 | 970 | 738 | 290 | 4 |
| 05.0-0055-1 | 5.0 | 55 | 35 | 40 | 1 |
| 05.0-0180-2 | 5.0 | 180 | 120 | 75 | 2 |
| 05.0-0290-3 | 5.0 | 290 | 182 | 105 | 3 |
| 05.0-0600-4 | 5.0 | 600 | 365 | 150 | 4 |
| 07.5-0030-1 | 7.5 | 30 | 19 | 22 | 1 |
| 07.5-0110-2 | 7.5 | 110 | 67 | 38 | 2 |
| 07.5-0180-3 | 7.5 | 180 | 110 | 52 | 3 |
| 07.5-0375-4 | 7.5 | 375 | 205 | 70 | 4 |
| 10.0-0019-1 | 10.0 | 19 | 11 | 11 | 1 |
| 10.0-0060-2 | 10.0 | 60 | 37 | 18 | 2 |
| 10.0-0110-3 | 10.0 | 110 | 59 | 27 | 3 |
| 10.0-0230-4 | 10.0 | 230 | 120 | 36 | 4 |

Note: Catalog products are subject to design changes & improvements. Please contact your sales representative before placing any orders.

ORDERING INFORMATION: PART # EXAMPLE: TKMH 01.0-0390-1

Revised 6/01/02



CURRENT CONTROLS, INC. 353 S. Brooklyn Ave. Wellsville, NY 14895

www.currentcontrols.com * salescci@eznet.net * Phone: (585) 593-1544 * Fax: (585) 593-1713