

TKM Series

Low Core Loss, Energy Efficient Inductors

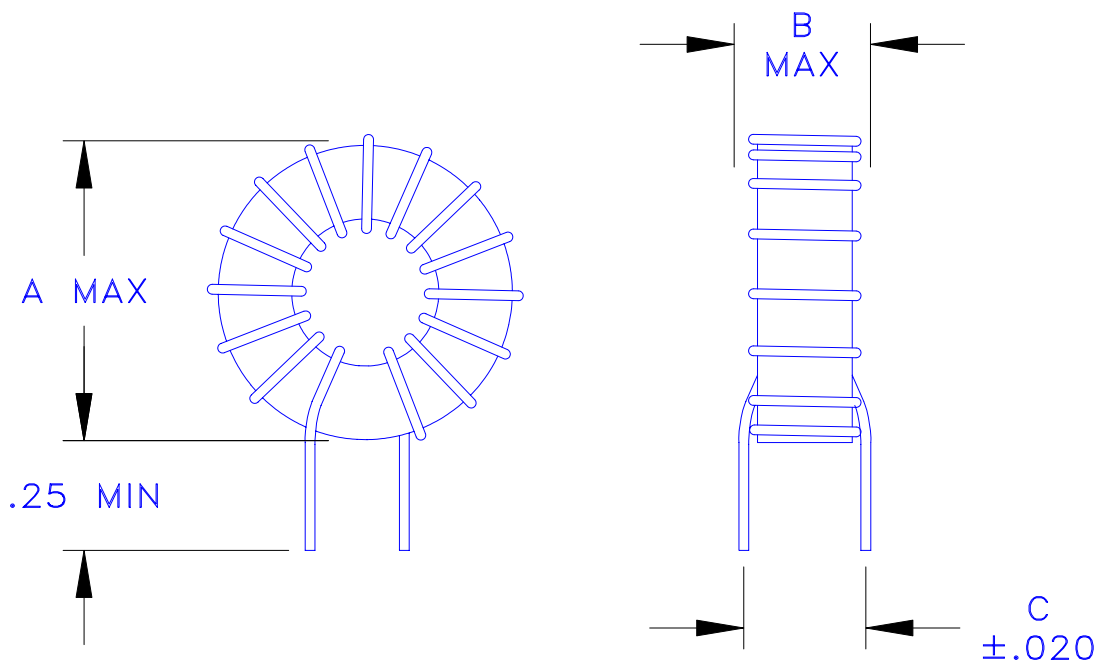
*LOW CORE LOSS, COOL RUNNING, ENERGY EFFICIENT, SINGLE LAYER,
LOW RADIATION DESIGN.*

MAY BE PURCHASED WITH OR WITHOUT HEADERS FOR THRU-HOLE MOUNTING.

DESIGNED FOR CLASS B (130°C) OPERATION

TYPICAL APPLICATIONS:

- *OUTPUT FILTER INDUCTORS FOR HIGH FREQUENCY POWER SUPPLIES*
- *DIFFERENTIAL FILTER*



TKM Series

Size	A	B	C
1	0.95	0.50	.375
2	1.23	0.65	.550
3	1.55	0.65	.550
4	1.90	0.90	.750



CURRENT CONTROLS, INC. 353 S. Brooklyn Ave. Wellsville, NY 14895

www.currentcontrols.com * salescci@eznet.net * Phone: (585) 593-1544 * Fax: (585) 593-1713

TKM Series

Low Core Loss, Energy Efficient Inductors

TKM CATALOG #	RATED CURRENT IDC (AMPS)	INDUCTANCE MIN @ 0A (micro H)	INDUCTANCE TYP @ IDC (micro H)	DCR MAX (milli Ohms)	LEAD DIA ±.003 (In)	SIZE
01.0-0390-1	1.0	390	336	500	.013	1
01.0-1170-2	1.0	1170	999	980	.013	2
01.0-1860-3	1.0	1860	1578	1350	.013	3
01.0-3800-4	1.0	3800	3092	2200	.013	4
02.5-0150-1	2.5	150	107	160	.020	1
02.5-0460-2	2.5	460	354	250	.020	2
02.5-0755-3	2.5	755	539	350	.020	3
02.5-1520-4	2.5	1520	1068	570	.020	4
03.8-0096-1	3.8	96	63	80	.025	1
03.8-0295-2	3.8	295	174	150	.025	2
03.8-0470-3	3.8	470	298	170	.025	3
03.8-0970-4	3.8	970	738	290	.025	4
05.0-0055-1	5.0	55	35	40	.032	1
05.0-0180-2	5.0	180	120	75	.032	2
05.0-0290-3	5.0	290	182	105	.032	3
05.0-0600-4	5.0	600	365	150	.032	4
07.5-0030-1	7.5	30	19	22	.040	1
07.5-0110-2	7.5	110	67	38	.040	2
07.5-0180-3	7.5	180	110	52	.040	3
07.5-0375-4	7.5	375	205	70	.040	4
10.0-0019-1	10.0	19	11	11	.050	1
10.0-0060-2	10.0	60	37	18	.050	2
10.0-0110-3	10.0	110	59	27	.050	3
10.0-0230-4	10.0	230	120	36	.050	4

Note: Catalog products are subject to design changes & improvements. Please contact your sales representative before placing any orders.

ORDERING INFORMATION: PART # EXAMPLE: TKM 01.0-0390-1

Revised 6/01/02



CURRENT CONTROLS, INC. 353 S. Brooklyn Ave. Wellsville, NY 14895
 www.currentcontrols.com * salescci@eznet.net * Phone: (585) 593-1544 * Fax: (585) 593-1713