

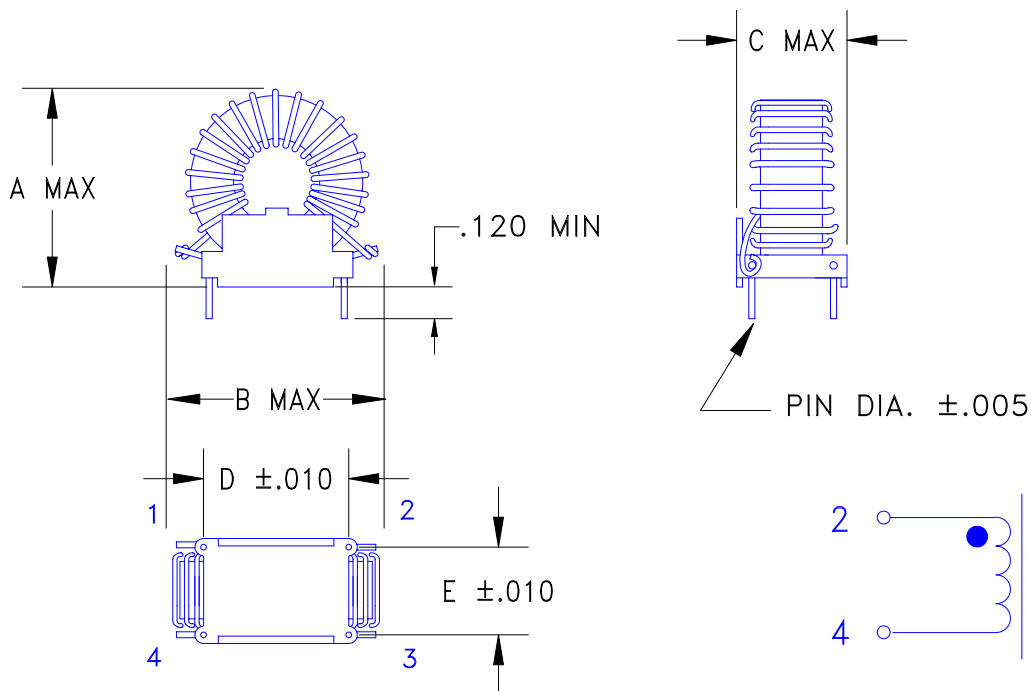
THBH Series

High Flux, High Inductance, Low Loss Inductors

SINGLE LAYER, LOW RADIATION DESIGN, HIGH FLUX, HIGH INDUCTANCE, LOW LOSS, TEMPERATURE STABLE, HIGH ENERGY STORAGE CAPABILITY. MAY BE PURCHASED WITH OR WITHOUT HEADERS FOR THRU-HOLE MOUNTING DESIGNED FOR CLASS B (130°C) OPERATION

TYPICAL APPLICATIONS:

- **OUTPUT FILTER INDUCTORS FOR HIGH FREQUENCY POWER SUPPLIES**
- **DIFFERENTIAL FILTER INDUCTORS FOR HIGH FREQUENCY POWER SUPPLIES or POWER LINE FILTERS**
- **GENERAL FILTER**



THBH Series

Size	A	B	C	D	E	PIN DIA
1	1.12	1.00	0.70	0.60	0.25	0.040
2	1.40	1.30	0.72	0.80	0.40	0.050
3	1.75	1.50	0.72	0.80	0.40	0.050
4	1.90	1.80	0.85	0.90	0.60	0.050



THBH Series

High Flux, High Inductance, Low Loss Inductors

THBH CATALOG #	RATED CURRENT IDC (AMPS)	INDUCTANCE MIN @ 0A (micro H)	INDUCTANCE TYP @ IDC (micro H)	DCR MAX (milli Ohms)	SIZE
01.0-0830-1	1.0	830	628	500	1
01.0-2500-2	1.0	2500	2007	980	2
01.0-3990-3	1.0	3990	3061	1350	3
01.0-8050-4	1.0	8050	6090	2200	4
02.5-0320-1	2.5	320	189	160	1
02.5-0990-2	2.5	990	678	250	2
02.5-1600-3	2.5	1600	958	350	3
02.5-3200-4	2.5	3200	1875	570	4
03.8-0200-1	3.8	200	106	80	1
03.8-0630-2	3.8	630	340	150	2
03.8-1000-3	3.8	1000	516	170	3
03.8-2050-4	3.8	2050	1028	290	4
05.0-0120-1	5.0	120	60	40	1
05.0-0380-2	5.0	380	211	75	2
05.0-0620-3	5.0	620	310	105	3
05.5-1270-4	5.0	1270	609	150	4
07.5-0070-1	7.5	70	35	22	1
07.5-0230-2	7.5	230	109	38	2
07.5-0380-3	7.5	380	156	52	3
07.5-0790-4	7.5	790	315	70	4
10.0-0040-1	10.0	40	18	11	1
10.0-0130-2	10.0	130	61	18	2
10.0-0230-3	10.0	230	93	27	3
10.0-0480-4	10.0	480	177	36	4

Note: Catalog products are subject to design changes & improvements. Please contact your sales representative before placing any orders.

ORDERING INFORMATION: PART # EXAMPLE: THBH 01.0-0830-1

Revised 6/01/02



CURRENT CONTROLS, INC. 353 S. Brooklyn Ave. Wellsville, NY 14895
www.currentcontrols.com * salescci@eznet.net * Phone: (585) 593-1544 * Fax: (585) 593-1713