

THB Series

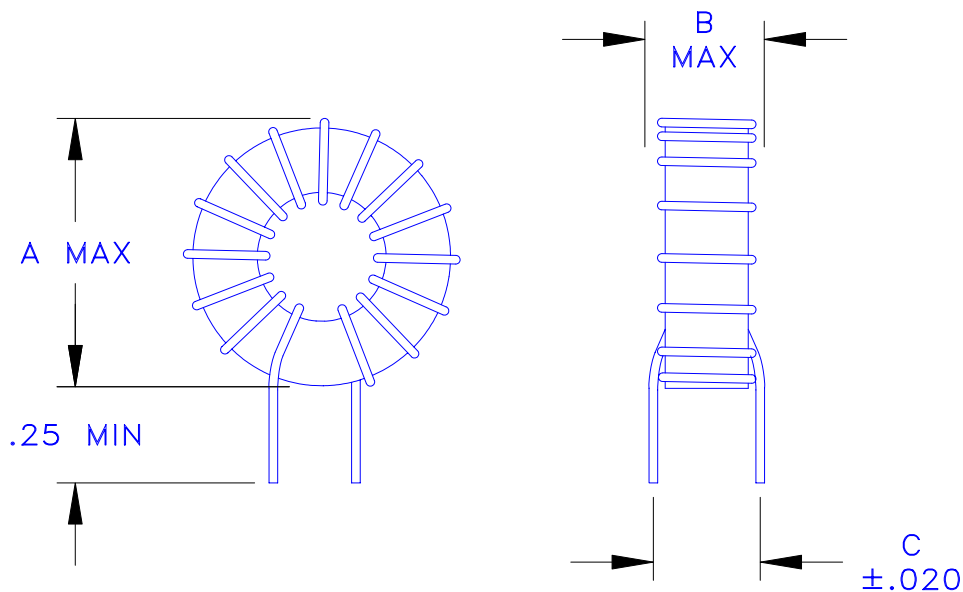
High Flux, High Inductance, Low Loss Inductors

**SINGLE LAYER, LOW RADIATION DESIGN, HIGH FLUX, HIGH INDUCTANCE,
LOW LOSS, TEMPERATURE STABLE, HIGH ENERGY STORAGE CAPABILITY.
MAY BE PURCHASED WITH OR WITHOUT HEADERS FOR THRU-HOLE MOUNTING**

DESIGNED FOR CLASS B (130°C) OPERATION

TYPICAL APPLICATIONS:

- **OUTPUT FILTER INDUCTORS FOR HIGH FREQUENCY POWER SUPPLIES**
- **DIFFERENTIAL FILTER INDUCTORS FOR HIGH FREQUENCY POWER SUPPLIES
or POWER LINE FILTERS**
- **GENERAL FILTER**



THB Series

Size	A	B	C
1	0.95	0.50	.375
2	1.23	0.65	.550
3	1.55	0.65	.550
4	1.90	0.90	.750



CURRENT CONTROLS, INC. 353 S. Brooklyn Ave. Wellsville, NY 14895
www.currentcontrols.com * salescci@eznet.net * Phone: (585) 593-1544 * Fax: (585) 593-1713

THB Series

High Flux, High Inductance, Low Loss Inductors

THB CATALOG #	RATED CURRENT IDC (AMPS)	INDUCTANCE MIN @ 0A (micro H)	INDUCTANCE TYP @ IDC (micro H)	DCR MAX (milli Ohms)	LEAD DIA ±.003 (In)	SIZE
01.0-0830-1	1.0	830	628	500	.013	1
01.0-2500-2	1.0	2500	2007	980	.013	2
01.0-3990-3	1.0	3990	3061	1350	.013	3
01.0-8050-4	1.0	8050	6090	2200	.013	4
02.5-0320-1	2.5	320	189	160	.020	1
02.5-0990-2	2.5	990	678	250	.020	2
02.5-1600-3	2.5	1600	958	350	.020	3
02.5-3200-4	2.5	3200	1875	570	.020	4
03.8-0200-1	3.8	200	106	80	.025	1
03.8-0630-2	3.8	630	340	150	.025	2
03.8-1000-3	3.8	1000	516	170	.025	3
03.8-2050-4	3.8	2050	1028	290	.025	4
05.0-0120-1	5.0	120	60	40	.032	1
05.0-0380-2	5.0	380	211	75	.032	2
05.0-0620-3	5.0	620	310	105	.032	3
05.5-1270-4	5.0	1270	609	150	.032	4
07.5-0070-1	7.5	70	35	22	.040	1
07.5-0230-2	7.5	230	109	38	.040	2
07.5-0380-3	7.5	380	156	52	.040	3
07.5-0790-4	7.5	790	315	70	.040	4
10.0-0040-1	10.0	40	18	11	.050	1
10.0-0130-2	10.0	130	61	18	.050	2
10.0-0230-3	10.0	230	93	27	.050	3
10.0-0480-4	10.0	480	177	36	.050	4

Note: Catalog products are subject to design changes & improvements. Please contact your sales representative before placing any orders.

ORDERING INFORMATION: PART # EXAMPLE: THB 01.0-0830-1

Revised 6/01/02



CURRENT CONTROLS, INC. 353 S. Brooklyn Ave. Wellsville, NY 14895

www.currentcontrols.com * salescci@eznet.net * Phone: (585) 593-1544 * Fax: (585) 593-1713