

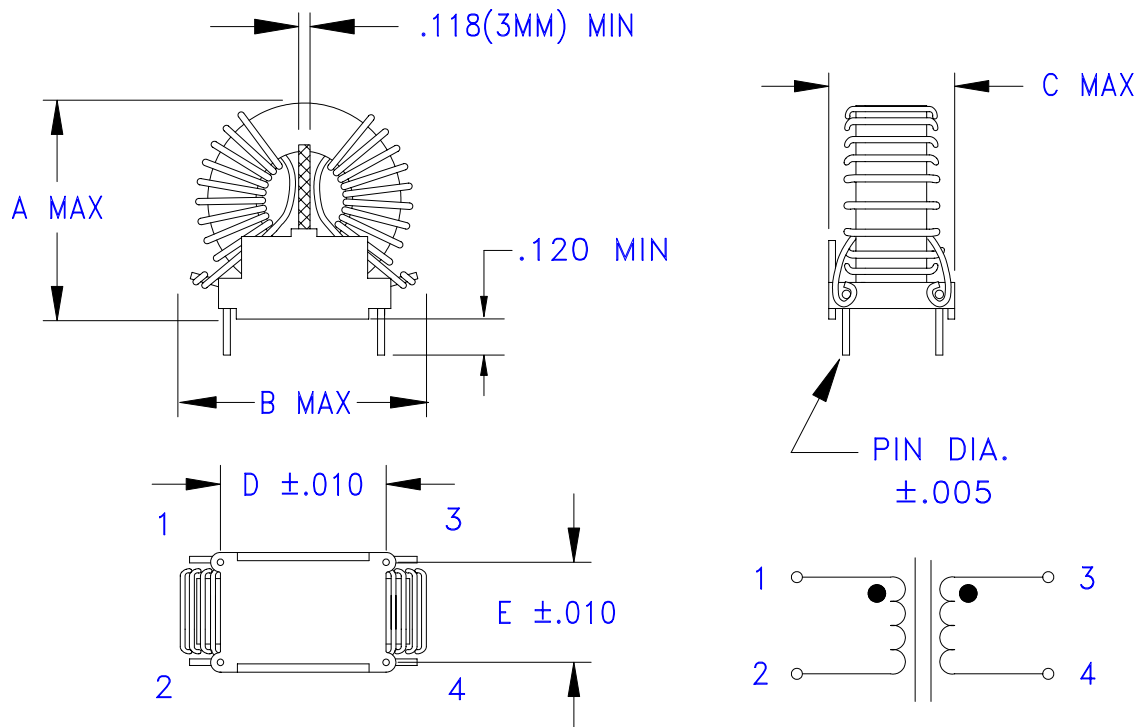
TCM Series

Common Mode Inductors

**1500 VRMS ISOLATION BETWEEN WINDINGS, HIGH PERMEABILITY TOROIDAL CORES, SINGLE LAYER, LIMITED RADIATION DESIGN
DESIGNED FOR CLASS B (130°C) OPERATION**

TYPICAL APPLICATIONS:

- **POWER LINE FILTER**
- **SUPPRESS EMI in SWITCH MODE POWER SUPPLIES**
- **POWER SUPPLY OUTPUT FILTERS**



TCM Series

| Size | A | B | C | D | E |
|------|------|------|------|------|------|
| 1 | 1.06 | 1.00 | 0.75 | 0.60 | 0.25 |
| 2 | 1.25 | 1.25 | 0.65 | 0.80 | 0.40 |
| 3 | 1.70 | 1.70 | 0.85 | 0.90 | 0.60 |
| 4 | 2.25 | 2.25 | 0.95 | 1.20 | 0.70 |



CURRENT CONTROLS, INC. 353 S. Brooklyn Ave. Wellsville, NY 14895

www.currentcontrols.com * salescci@eznet.net * Phone: (585) 593-1544 * Fax: (585) 593-1713

TCM Series

Common Mode Inductors

| TCM CATALOG # | RATED CURRENT IRMS (AMPS) | INDUCTANCE MIN @ 0A (milli H) | DCR MAX (milli Ohms) | SIZE | PIN DIA. |
|--------------------------|--|--|-------------------------------------|-------------|---------------------|
| 01.0-01290-1 | 1.0 A | 1.29 | 60 | 1 | 0.040 |
| 01.0-03200-2 | 1.0 A | 3.20 | 80 | 2 | 0.050 |
| 01.0-12300-3 | 1.0 A | 12.30 | 170 | 3 | 0.050 |
| 01.0-30000-4 | 1.0 A | 30.00 | 375 | 4 | 0.050 |
| 02.0-00800-1 | 2.0 A | 0.80 | 30 | 1 | 0.040 |
| 02.0-02100-2 | 2.0 A | 2.10 | 40 | 2 | 0.050 |
| 02.0-07200-3 | 2.0 A | 7.20 | 85 | 3 | 0.050 |
| 02.0-18700-4 | 2.0 A | 18.70 | 200 | 4 | 0.050 |
| 04.0-00430-1 | 4.0 A | 0.43 | 10 | 1 | 0.040 |
| 04.0-01000-2 | 4.0 A | 1.00 | 18 | 2 | 0.050 |
| 04.0-03500-3 | 4.0 A | 3.50 | 30 | 3 | 0.050 |
| 04.0-09500-4 | 4.0 A | 9.50 | 75 | 4 | 0.050 |
| 06.0-00270-1 | 6.0 A | 0.27 | 6 | 1 | 0.040 |
| 06.0-00610-2 | 6.0 A | 0.61 | 9 | 2 | 0.050 |
| 06.0-02100-3 | 6.0 A | 2.10 | 16 | 3 | 0.050 |
| 06.0-06100-4 | 6.0 A | 6.10 | 40 | 4 | 0.050 |
| 08.0-00220-1 | 8.0 A | 0.22 | 5 | 1 | 0.040 |
| 08.0-00450-2 | 8.0 A | 0.45 | 6 | 2 | 0.050 |
| 08.0-01700-3 | 8.0 A | 1.70 | 10 | 3 | 0.050 |
| 08.0-05100-4 | 8.0 A | 5.10 | 30 | 4 | 0.050 |
| 10.0-00140-1 | 10.0 A | 0.14 | 3.5 | 1 | 0.040 |
| 10.0-00370-2 | 10.0 A | 0.37 | 5 | 2 | 0.057 |
| 10.0-01300-3 | 10.0 A | 1.30 | 8 | 3 | 0.057 |
| 10.0-04200-4 | 10.0 A | 4.20 | 20 | 4 | 0.057 |

Note: Catalog products are subject to design changes & improvements. Please contact your sales representative before placing any orders.

ORDERING INFORMATION: PART # EXAMPLE: TCM 01.0-01290-1

Revised 6/01/02



CURRENT CONTROLS, INC. 353 S. Brooklyn Ave. Wellsville, NY 14895

www.currentcontrols.com * salescci@eznet.net * Phone: (585) 593-1544 * Fax: (585) 593-1713