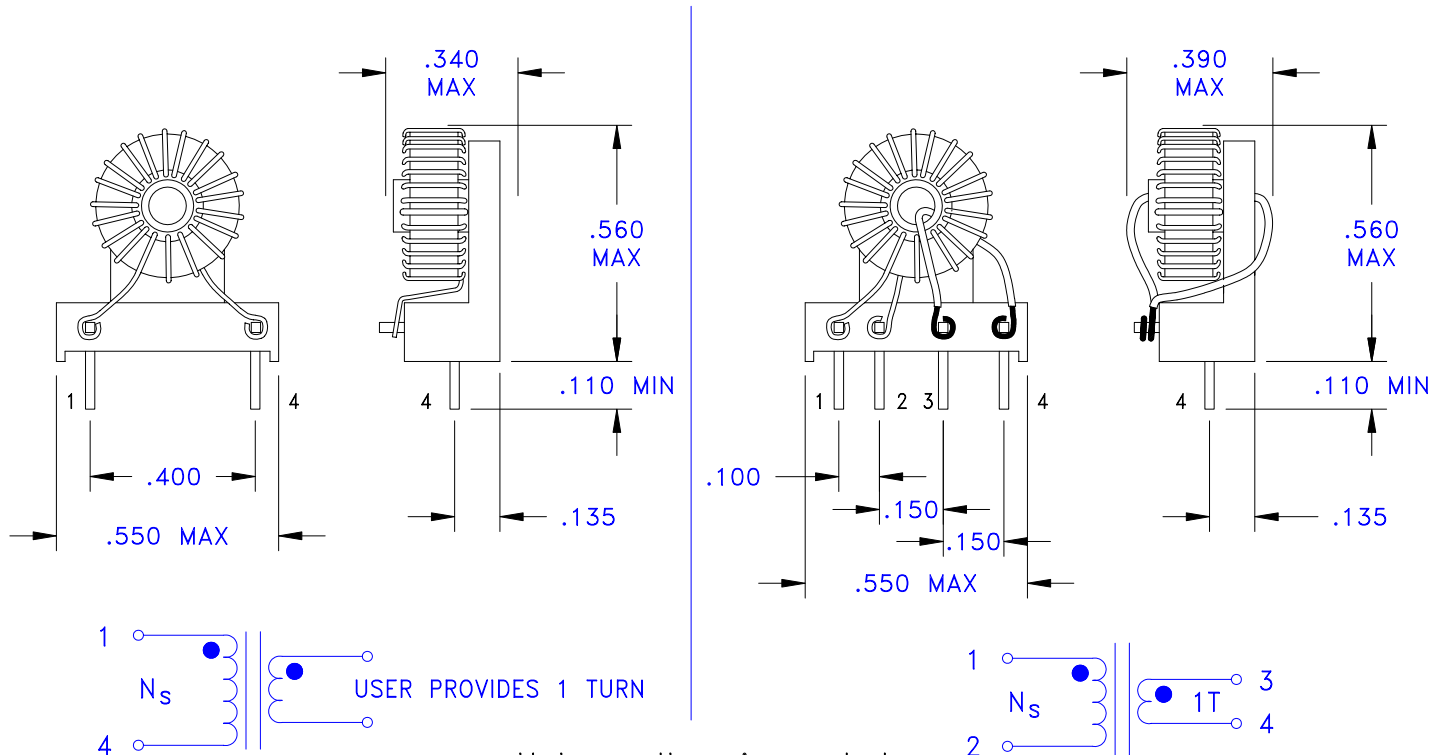


Current Sense Transformers

(with or without the 1 turn primary)

- **FREQUENCY RANGE FROM 200 to 500 KHz**
- **1250 VRMS ISOLATION**
- **20 AMPS PEAK SENSE CURRENT**
- **ELECTRICAL SPECIFICATIONS ARE @ 25° C**
- **OPERATING TEMPERATURE RANGE: -30° C to 30° C**



Unless otherwise noted,
all tolerances are ± 0.005

Part Number (1)	Part Number	Secondary Turns N_s	Secondary Inductance (μ H) MIN(2)	DCR Secondary (Ω MAX)	DCR Primary Ω	V_s (mV)	RT(3)
CT10277	CT10272	10	150	.065	0.006	30.00	1.50
CT10278	CT10273	20	600	.120	0.006	60.00	3.00
CT10279	CT10274	50	3750	.420	0.006	160.00	7.50

- (1) User Provides 1 turn
- (2) @ 100 KHz, @ V_s
- (3) Termination Resistance for .15 Volt / Amp

Note: Catalog products are subject to design changes & improvements.
Please contact your sales representative before placing any orders.

Revised 6/23/03



CURRENT CONTROLS, INC. 353 S. Brooklyn Ave. Wellsville, NY 14895

www.currentcontrols.com * salescci@eznet.net * Phone: (585) 593-1544 * Fax: (585) 593-1713