

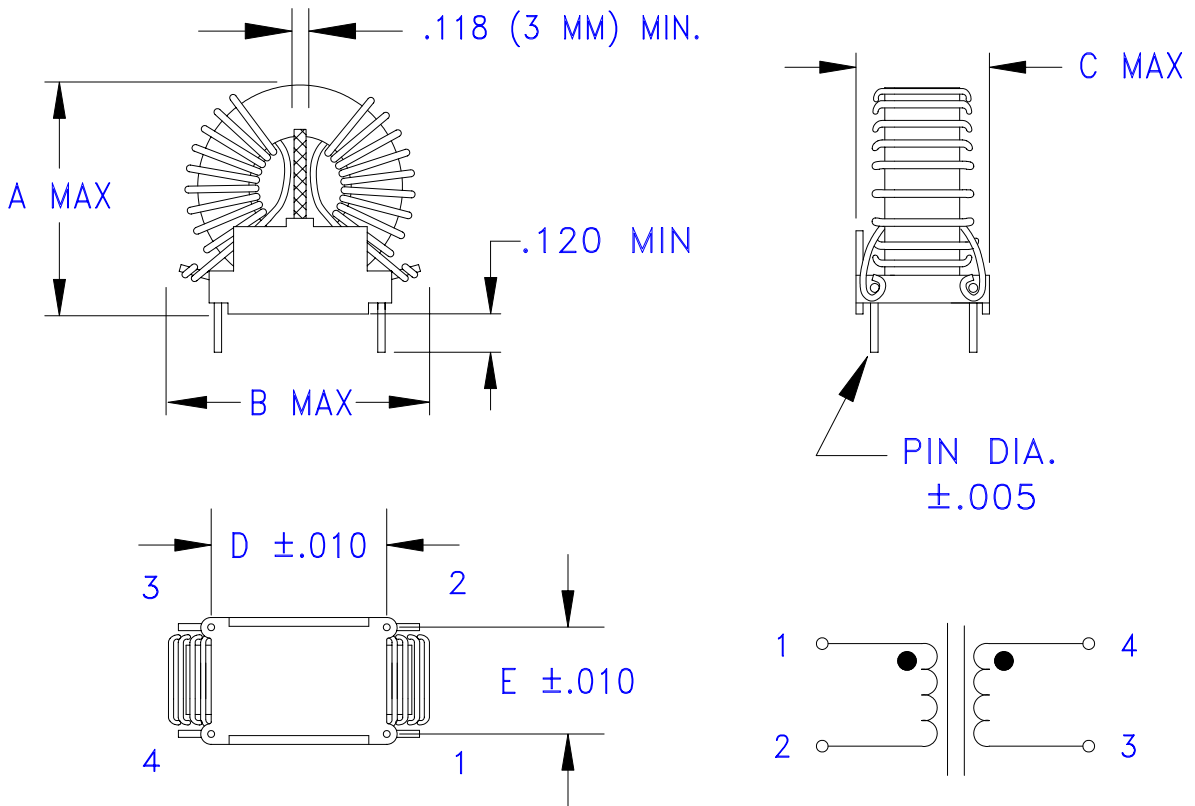
Common Mode Inductor Series

WITH METGLAS[®] CORES

1500 VRMS ISOLATION BETWEEN WINDINGS, HIGH PERMEABILITY TOROIDAL CORES, SINGLE LAYER, LIMITED RADIATION DESIGN
DESIGNED FOR CLASS B (130°C) OPERATION

TYPICAL APPLICATIONS:

- POWER LINE FILTER
- SUPPRESS EMI in SWITCH MODE POWER SUPPLIES



Size	A	B	C	D	E
1	.85	.78	.75	.60	.25
2	1.00	1.25	.65	.80	.40
3	1.35	1.30	.65	.80	.40



CURRENT CONTROLS, INC. 353 S. Brooklyn Ave. Wellsville, NY 14895
www.currentcontrols.com * salescci@eznet.net * Phone: (585) 593-1544 * Fax: (585) 593-1713

Common Mode Inductor Series

WITH METGLAS[®] CORES

CATALOG #	RATED CURRENT IRMS (AMPS)	INDUCTANCE MIN @ 0A (milli H)	DCR MAX (milli Ohms)	SIZE	PIN DIA.
CT-10286	1.0 A	3.50	32	1	0.040
CT-10287	2.0 A	2.00	15	1	0.040
CT-10288	4.0 A	0.90	8.5	1	0.040
CT-10289	6.0 A	0.60	4.0	1	0.040
CT-10290	1.0 A	11.00	64	2	0.050
CT-10291	2.0 A	8.00	32	2	0.050
CT-10292	4.0 A	5.00	16	2	0.050
CT-10293	6.0 A	3.00	8	2	0.050
CT-10294	1.0 A	45.0	160	3	0.050
CT-10295	2.0 A	28.0	80	3	0.050
CT-10296	4.0 A	16.0	40	3	0.050
CT-10297	6.0 A	10.0	21	3	0.050

Note: Catalog products are subject to design changes & improvements. Please contact your sales representative before placing any orders.

ORDERING INFORMATION: PART # EXAMPLE: CT-10286

Revised 5/01/03



More inductance in a smaller size. This relates to less core and copper losses.



CURRENT CONTROLS, INC. 353 S. Brooklyn Ave. Wellsville, NY 14895
www.currentcontrols.com * salescci@eznet.net * Phone: (585) 593-1544 * Fax: (585) 593-1713